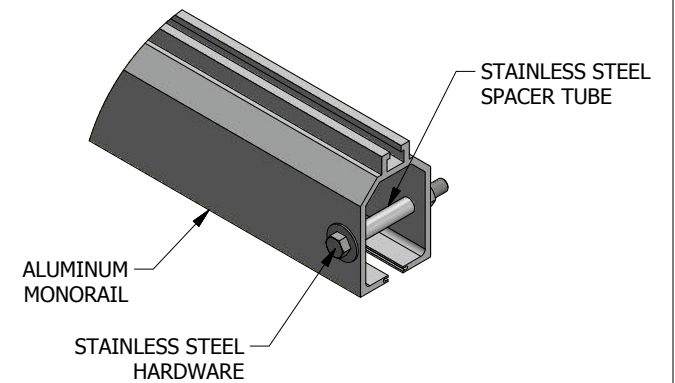


**DETAIL A
MONORAIL HANGER**



**DETAIL B
STOP BOLT**

Series Name: Monorail Assembly - Beam Wrap
Series Number: MR-3000-BW



PEAK FALL PROTECTION

DESIGNED SAFETY SOLUTIONS

INFO@PEAK-FP.COM

PH 866-387-9965

WWW.PEAK-FP.COM